

İMAJ TEKNİK
ELEKTRİK ELEKTRONİK MALZ. SAN. VE TİC. LTD. ŞTİ

FA-SOLVER®

HOLLOW SHAFT RESOLVERS



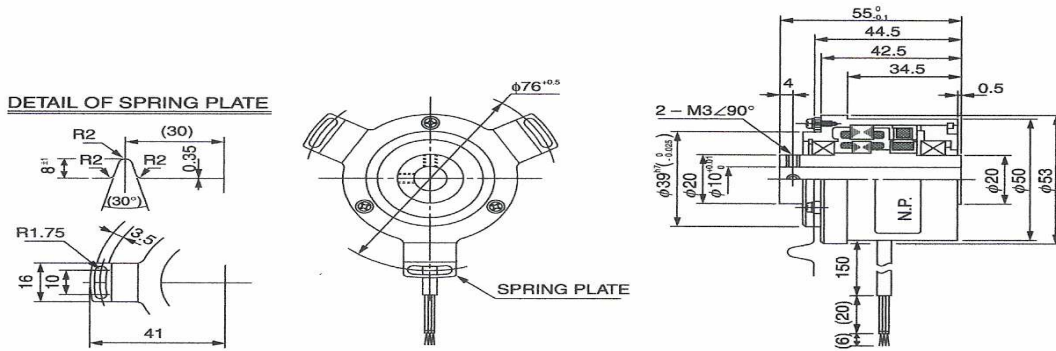
Products on this page are within FA-SOLVER® series

SIZE		21	
Model No.		TS2151N1E26	TS2151N1E45
Type		BRX	←
Primary		R1-R2	←
Input Voltage/Frequency		10Vrms 4.5kHz	3.5Vrms 10kHz
Transformation Ratio		0.5 ± 5%	0.5 ± 5%
Electrical Error		±10' Max.	±10' Max.
Null Voltage		20mVrms Max.	20mVrms Max.
Phase Shift		+9° Nom.	-5° Nom.
Impedance	Z _{ro}	75+j95Ω	290+j505Ω
	Z _{so}	100+j140Ω	420+j810Ω
	Z _{ss}	70+j120Ω	350+j710Ω
Operating Temperature		-30 ~ +100°C	←
Max. Operating Speed		6,000min. ⁻¹	←
Mass		0.31kg	0.31kg
Output Type		Reverse	Reverse

OUTLINE

(DIMENSION : mm)

SIZE 21 TS2151N1E26, E45



İmaj Teknik Elektrik Elektronik San. ve Tic. Ltd. Şti.

EMEYEMEZ MAH.TUTSAK SOK. NO: 16/13-14-15
KARAKOY/İSTANBUL
TURKEY

Telefon : +90 212 235 9535 / 36
Fax : +90 212 235 9537

www.imajteknik.com
www.imajteknik.com.tr